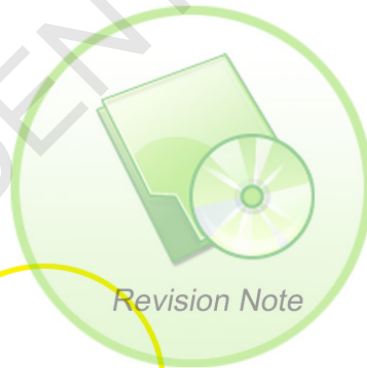




A company of SIM Tech

SIM800 Series_STK_Application Note_V1.01



SIMCOM CONFIDENTIAL FILE

| | |
|----------------------------|--|
| Document Title | SIM800 Series_STK_Application Note |
| Version | 1.01 |
| Date | 2016-11-17 |
| Status | Release |
| Document Control ID | SIM800 Series_STK_Application Note_V1.01 |

General Notes

SIMCom offers this information as a service to its customers, to support application and engineering efforts that use the products designed by SIMCom. The information provided is based upon requirements specifically provided to SIMCom by the customers. SIMCom has not undertaken any independent search for additional relevant information, including any information that may be in the customer's possession. Furthermore, system validation of this product designed by SIMCom within a larger electronic system remains the responsibility of the customer or the customer's system integrator. All specifications supplied herein are subject to change.

Copyright

This document contains proprietary technical information which is the property of Shanghai SIMCom Wireless Solutions Ltd, copying of this document and giving it to others and the using or communication of the contents thereof, are forbidden without express authority. Offenders are liable to the payment of damages. All rights reserved in the event of grant of a patent or the registration of a utility model or design. All specification supplied herein are subject to change without notice at any time.

Copyright © Shanghai SIMCom Wireless Solutions Ltd. 2016

Contents

| | | |
|-----------|--|----------|
| 1. | STK Function | 6 |
| 1.1. | STK Brief Introduction | 6 |
| 1.2. | STK AT Command Usage..... | 6 |
| 2. | STK AT Commands Definition..... | 9 |
| 2.1. | AT+STKTRS STK Terminal Response | 9 |
| 2.1.1. | Description | 9 |
| 2.1.2. | Format | 9 |
| 2.1.3. | Field | 9 |
| 2.2. | AT+STKENVS STK Envelope Command | 10 |
| 2.2.1. | Description | 10 |
| 2.2.2. | Format | 10 |
| 2.2.3. | Field | 10 |
| 2.3. | AT+STKCALL STK Call Setup | 10 |
| 2.3.1. | Description | 10 |
| 2.3.2. | Format | 11 |
| 2.3.3. | Field | 11 |
| 2.4. | AT+STKSMS STK SMS Delivery | 11 |
| 2.4.1. | Description | 11 |
| 2.4.2. | Format | 11 |
| 2.4.3. | Field | 12 |
| 2.5. | AT+STKSS STK SS Setup | 12 |
| 2.5.1. | Description | 12 |
| 2.5.2. | Format | 12 |
| 2.5.3. | Field | 12 |
| 2.6. | AT+STKUSSD STK USSD Setup | 12 |
| 2.6.1. | Description | 12 |
| 2.6.2. | Format | 13 |
| 2.6.3. | Field | 13 |
| 2.7. | AT+STKDTMF STK Sending DTMF | 13 |
| 2.7.1. | Description | 13 |
| 2.7.2. | Format | 13 |
| 2.7.3. | Field | 13 |
| 2.8. | +STKPCI STK Proactive Command Indication | 14 |
| 2.8.1. | Description | 14 |
| 2.8.2. | Format | 14 |
| 2.8.3. | Field | 14 |
| 2.9. | AT+STKPCIS SIM URC Switch | 17 |
| 2.9.1. | Description | 17 |
| 2.9.2. | Format | 17 |

| | | |
|-----------------|--|-----------|
| 2.9.3. | Field | 17 |
| 2.10. | AT+STKMENU Get SIM Toolkit Setup Menu Data | 17 |
| 2.10.1. | Description | 17 |
| 2.10.2. | Format | 17 |
| 2.10.3. | Field | 18 |
| 3. | STK Usage Example | 19 |
| 3.1. | Setup Menu | 19 |
| 3.2. | Menu Selection Item | 20 |
| 3.3. | Display Text | 20 |
| 3.4. | Get Input | 20 |
| Appendix | | 22 |
| A | Related Documents | 22 |
| B | Terms and Abbreviations | 22 |

SIMCOM CONFIDENTIAL FILE

Version History

| Date | Version | Description of change | Author |
|------------|---------|-----------------------|------------|
| 2013-08-01 | 1.00 | New version | Ping.zhang |
| 2016-11-17 | 1.01 | Scope | Wenjie.lai |

Scope

This document presents the AT command of STK operation and application examples.
This document can apply to SIM800 series modules with STK function.

1. STK Function

1.1. STK Brief Introduction

Although the base band of GSM/GPRS module is powerful enough to provide mobile phone applications, there are chances that other devices are used for main controller and GSM/GPRS base band serves as only a communication module. It may be because of MIPS requirement or domain-specific applications. For example, a PDA with phone capability may use a powerful processor as CPU and requires only communication functions of GSM/GPRS base band. The following figure is the basic building blocks of such applications.

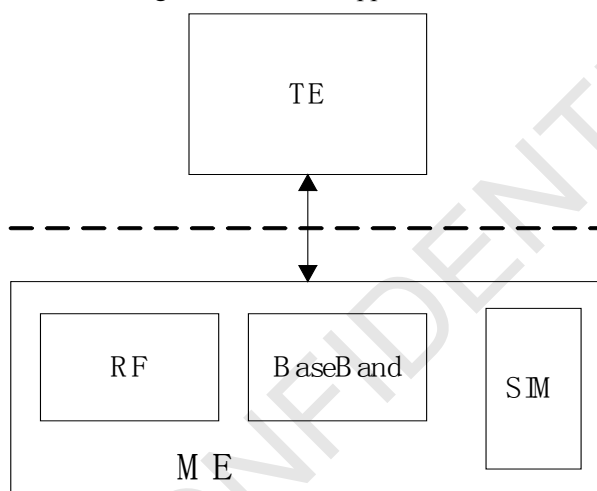


Figure 1: Basic building block

The terms used follow those in the ETSI/3GPP specifications. So that TE represents the application device, which is the controller and serves for special functionalities. ME represents the GSM/GPRS module, which provides GSM/GPRS service to the TE.

SIM is another separated IC, and may not reside in GSM/GPRS modules. However, there should be direct interfaces between SIM and GSM/GPRS BaseBand as defined in 3GPP specification TS 11.11. So the SIM is conceptually a part of ME. (ME, SIM, and TE comprise a MT, which is Mobile Terminal).

The SAT supported includes class 2 and class 3 (optional). No letter classes are supported.

1.2. STK AT Command Usage

SAT is defined in GSM 11.14. The AT commands listed in chapter2 are implemented to support SAT functions. It should be noted that there are some special handling of SAT commands. For example, SAT SETUP CALL requests not to check FDN, and so “ATD” should not be used to

setup SAT calls. It is the same operation for sending SS, SMS, USSD, and etc.

The AT commands are designed to achieve maximum flexibilities for TE. The basic operation for ME is to forward Proactive commands and to receive Envelop/Terminal Responses between SIM and TE.

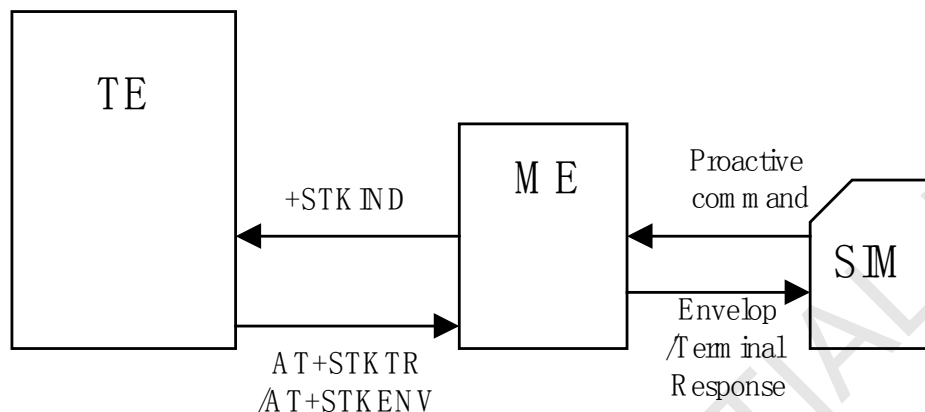


Figure 2: Basic AT command flow block diagram

However, some commands must be handled by ME. The commands of SAT are categorized into 3 groups:

- Handled by TE only: ME transparently forwards the command to TE.eg. DISPLAY TEXT.
- Handled by ME: TE is notified, but not involved in the SAT procedure.eg. POLL INTERVAL
- Handled by both TE and ME together.

The table following shows all commands.

| STK procedures | Commands | Involvement | AT commands used | Class |
|----------------|--------------------|-------------|-------------------------------------|---------|
| Proactive SIM | Display text | TE | <+STKPCI,0> +STKTRS | Class 2 |
| | Get inkey | TE | <+STKPCI,0> +STKTRS | Class 2 |
| | Get input | TE | <+STKPCI,0> +STKTRS | Class 2 |
| | More time | ME | Do Nothing | Class 2 |
| | Play tone | TE | <+STKPCI,0> +STKTRS | Class 2 |
| | Poll interval | ME | Do Nothing | Class 2 |
| | Refresh | TE/ME | <+STKPCI,1> Call Ready, SM BL Ready | Class 2 |
| | Setup menu | TE | <+STKPCI,0> +STKTRS | Class 2 |
| | Select item | TE | <+STKPCI,0> +STKTRS | Class 2 |
| | Send short message | TE/ME | <+STKPCI,2> +STKSMS | Class 2 |
| | Send ss | TE/ME | <+STKPCI,2> +STKSS | Class 2 |
| | Send ussd | TE/ME | <+STKPCI,2> +STKUSSD | Class 2 |
| | Set up call | TE/ME | <+STKPCI,2> +STKCALL | Class 2 |

| | | | | |
|-----------------------|-----------------------------|-------|----------------------|---------|
| | Polling off | ME | Do Nothing | Class 2 |
| | Provide local information | ME | <+STKPCI,1> | Class 2 |
| | Set up event list | ME | <+STKPCI,1> | Class 3 |
| | Perform card apdu | NA | Not Support | Class A |
| | Power off card | NA | Not Support | Class A |
| | Power on card | NA | Not Support | Class A |
| | Get reader status | NA | Not Support | Class A |
| | Timer management | ME | Do Nothing | Class 3 |
| | Set up idle mode text | TE | <+STKPCI,0> +STKTRS | Class 3 |
| | Run at command | TE/ME | <+STKPCI,1> +STKTRS | Class B |
| | Send dtmf | TE/ME | <+STKPCI,1> +STKDTMF | Class 3 |
| | Language notification | TE/ME | <+STKPCI,1> | Class 3 |
| | Launch browser | TE | <+STKPCI,0> +STKTRS | Class C |
| | Open channel | TE | <+STKPCI,0> +STKTRS | Class E |
| | Close channel | TE | <+STKPCI,0> +STKTRS | Class E |
| | Receive data | TE | <+STKPCI,0> +STKTRS | Class E |
| | Send data | TE | <+STKPCI,0> +STKTRS | Class E |
| | Get channel status | TE | <+STKPCI,0> +STKTRS | Class E |
| Data Download | SMS-PP data download | ME | Do Nothing | Class 2 |
| | CB data download | ME | Do Nothing | Class 2 |
| Menu Selection | | TE | +STKENVS | Class 2 |
| Call Control by SIM | | ME | Do Nothing | Class 2 |
| MO SMS control by SIM | | ME | Do Nothing | Class 2 |
| Event Download | MT call event | ME | Do Nothing | Class 3 |
| | Call connected event | ME | Do Nothing | Class 3 |
| | Call disconnected event | ME | Do Nothing | Class 3 |
| | Location status event | ME | Do Nothing | Class 3 |
| | User activity event | TE | +STKENVS | Class 3 |
| | Idle screen available event | TE | +STKENVS | Class 3 |
| | Card reader status event | NA | Not Support | Class A |
| | Language selection event | TE | +STKENVS | Class 3 |
| | Browser Termination event | TE | +STKENVS | Class C |
| | Data available event | TE | +STKENVS | Class E |
| | Channel Status | TE | +STKENVS | Class E |

2. STK AT Commands Definition

SIM800 series STK AT command overview.

| Command | Description |
|------------|--|
| AT+STKTRS | This command is used to send STK Terminal Response |
| AT+STKENVS | This command is used to send STK Envelope command |
| AT+STKCALL | Trigger STK Call |
| AT+STKSMS | Trigger STK SMS |
| AT+STKSS | Trigger STK SS |
| AT+STKUSSD | Trigger STK USSD |
| AT+STKDTMF | Trigger STK DTMF |
| AT+STKMENU | Show STK main menu |
| AT+STKPCIS | Switch SKR URC string |
| +STKPCI | This unsolicited result code is used to indicate Proactive Command Indication. |

2.1. AT+STKTRS STK Terminal Response

2.1.1. Description

This command is used to send STK Terminal Response.

2.1.2. Format

| Command | Response |
|------------------------------|--|
| AT+STKTRS==<result>[,<text>] | OK ERROR |
| AT+STKTRS=? | +STKTRS: <result_length>,<text_length> OK |

2.1.3. Field

<result> HEX String --specified in GSM11.14[12.12]

- '00' = Command performed successfully
- '10' = Proactive SIM session terminated by the user
- '11' = Backward move in the proactive SIM session requested by the user

<text> Hex String

If response to **GET INPUT** or **GET INKEY** --specified in GSM11.14[12.15]

-text string, the first 2 char is Data coding scheme

If response to **SELECT ITEM** --specified in GSM11.134[12.10]

-Identifier of item chosen

2.2. AT+STKENVS STK Envelope Command

2.2.1. Description

This command is used to send STK Envelope command.

2.2.2. Format

| Command | Response |
|---------------------------------|-------------|
| AT+STKENVS=<command>[,<data> >] | OK ERROR |
| AT+STKENVS=? | OK |

2.2.3. Field

<command> HEX String --specified in GSM11.14[13.1]

- 'D3' = Menu Selection

- 'D6' =Event download

<data> Hex String

If command is 'D3' --specified in GSM11.14[8.2]

-Item identifier of main menu

If command is 'D6' --specified in GSM11.14[11]

-event list

- '04' = User activity

- '05' = Idle screen available

- '07' = Language selection

2.3. AT+STKCALL STK Call Setup

2.3.1. Description

To setup a STK call

2.3.2. Format

| Command | Response |
|---------------|----------|
| AT+STKCALL=0 | OK |
| AT+STKCALL=4 | |
| AT+STKCALL=16 | |
| AT+STKCALL=18 | |
| AT+STKCALL=32 | |
| AT+STKCALL=34 | |
| AT+STKCALL=? | OK |

2.3.3. Field

AT+STKCALL=0: Trigger modem to send STK CALLSETUP

AT+STKCALL=4: Trigger modem to send STK CALLSETUP but icon cannot be displayed

AT+STKCALL=16: Proactive session terminated by user

AT+STKCALL=18: No response from user

AT+STKCALL=32: ME currently unable to process this command

AT+STKCALL=34: User rejecting setup call

AT+STKCALL=50: Command data not understood by ME

Note:

Above are the possible terminal response values to be responded by the application. It is ME's responsibility to respond other terminal response values.

According to spec 11.14 , 0x12 ("No response from user") is not a possible terminal response value for STK CALLSETUP. So we will translate 0x12("No response from user") to 0x20("ME currently unable to process this command").

2.4. AT+STKSMS STK SMS Delivery

2.4.1. Description

To deliver a SMS

2.4.2. Format

| Command | Response |
|-------------|----------|
| AT+STKSMS=0 | OK |
| AT+STKSMS=4 | |

| | |
|-------------|----|
| AT+STKSMS=? | OK |
|-------------|----|

2.4.3. Field

AT+STKSMS=0: Trigger modem to send STK SMS

AT+STKSMS=4: Trigger modem to send STK SMS but icon cannot be displayed

Note: Above are the possible terminal response values to be responded by the application. It is ME's responsibility to respond other terminal response values.

2.5. AT+STKSS STK SS Setup

2.5.1. Description

To setup a SS.

2.5.2. Format

| Command | Response |
|-------------|----------|
| AT+STKSS=0 | OK |
| AT+STKSS=4 | |
| AT+STKSS=50 | |
| AT+STKSS=? | OK |

2.5.3. Field

AT+STKSS=0: Trigger modem to send STK SS

AT+STKSS=4: Trigger modem to send STK SS but icon cannot be displayed

AT+STKSS=50: Command data not understood by ME

Note: Above are the possible terminal response values be responded by the application. It is ME's responsibility to respond other terminal response values.

2.6. AT+STKUSSD STK USSD Setup

2.6.1. Description

To setup a USSD.

2.6.2. Format

| Command | Response |
|---------------|----------|
| AT+STKUSSD=0 | OK |
| AT+STKUSSD=4 | |
| AT+STKUSSD=50 | |
| AT+STKUSSD=? | OK |

2.6.3. Field

AT+STKUSSD=0: Trigger modem to send STK USSD

AT+STKUSSD=4: Trigger modem to send STK USSD but icon cannot be displayed

AT+STKUSSD=50: Command data not understood by ME

Note: Above are the possible terminal response values be responded by the application. It is ME's responsibility to respond other terminal response values.

2.7. AT+STKDTMF STK Sending DTMF

2.7.1. Description

To send DTMF tone.

2.7.2. Format

| Command | Response |
|---------------|----------|
| AT+STKDTMF=0 | OK |
| AT+STKDTMF=4 | |
| AT+STKDTMF=32 | |
| AT+STKDTMF=? | OK |

2.7.3. Field

AT+STKDTMF=0: Trigger modem to send STK DTMF

AT+STKDTMF=4: Trigger modem to send STK DTMF but icon cannot be displayed

AT+STKDTMF=32: ME currently unable to process command

Note: Above are the possible terminal response values be responded by the application. It is

ME's responsibility to respond other terminal response values.

2.8. +STKPCI STK Proactive Command Indication

2.8.1. Description

This unsolicited result code is used to indicate Proactive Command Indication.

2.8.2. Format

| Command | Response |
|---------|--|
| | +STKPCI: < pci_type > [,<proactive_command>,...] |

2.8.3. Field

< pci_type >

-0 The SAT command is handled by TE

-1 The SAT command is handled by ME

-2 No other command (end of session)

<proactive command>

-DISPLAY TEXT,< Data coding scheme>,<text string>

-GET INKEY, < Data coding scheme>,<text string>

-GET INPUT, < Data coding scheme>,<text string>,<Min length>,<Max length>[,<default text>]

-PLAY TONE,<alpha id>,<tone>,<duration>

-SET UP MENU,<the number of item >,<alpha id>

-SELECT ITEM, <the number of item >,<alpha id>

-ITEM,<index>,<id>,<item string>

-SEND SHORT MESSAGE,<alpha id>,<addr>,<sms tpdu>

-SEND SS,<alpha id>,<ss string>

-SEND USSD,<alpha id>,<ussd string>

-SETUP CALL,<alpha id>,<addr>

-SET UP IDLE MODE TEXT,<data coding scheme>,<text string>

-SEND DTMF,<alpha id>,<dtmf string>.

<Command Qualifier>

- DISPLAYTEXT

bit 1: 0 = normal priority

1 = high priority

bits 2-7: = RFU

bit 8: 0 = clear message after a delay

1 = wait for user to clear message

- GET INKEY,

- bit 1: 0 = digits (0-9, *, # and +) only
1 = alphabet set
- bit 2: 0 = SMS default alphabet
1 = UCS2 alphabet
- bit 3: 0 = character sets defined by bit 1 and bit 2 are enabled
1 = character sets defined by bit 1 and bit 2 are disabled and the "Yes/No" response is requested
- bits 4-7: = RFU
- bit 8: 0 = no help information available
1 = help information available

- GETINPUT,

- bit 1: 0 = digits (0-9, *, #, and +) only
1 = alphabet set
- bit 2: 0 = SMS default alphabet
1 = UCS2 alphabet
- bit 3: 0 = ME may echo user input on the display
1 = user input shall not be revealed in any way (see note)
- bit 4: 0 = user input to be in unpacked format
1 = user input to be in SMS packed format
- bits 5 to 7: = RFU
- bit 8: 0 = no help information available
1 = help information available

<default text>

<text string>

- The first two octets is Data coding scheme, Data coding scheme is coded as for SMS Data coding scheme defined in GSM 03.38 [5].

<Min length>

- min length,HEX value

<Max length>

- max length,HEX value

<alpha id>

- The alpha identifier is coded as for EFADN. See GSM 11.11 [20] for the coding of all EFs

<item string>

- The item string is coded in the same way as the alpha identifier for EFADN. Any unused bytes at the end of the value part shall be coded 'FF'.

<ss string>

- The first two octets is TON/NPI, TON/NPI and SS or USSD control string are coded as for EFADN, where the ADN record relates to a Supplementary Service Control string. See GSM 11.11 [20] for the coding of EFADN.

<ussd string>

- The first two octets is Data coding scheme ,The Data coding scheme is coded as for Cell Broadcast defined in GSM 03.38 [5]. The coding of the USSD string is defined in GSM 02.30 [4].

<dtmf string>

- The DTMF string which can be single or multiple characters is coded in BCD, in the same way

as the Dialling number string defined for EFADN in GSM 11.11 [20]. It may include extended BCD coding. There is no need for a DTMF control digit separator at the beginning of the string, but if present it shall be interpreted as PAUSE.

<sms tpdu>

- The TPDU is formatted as described in GSM 03.40 [6].

Where the TPDU is being sent from the SIM to the ME (to be forwarded to the network), and where it includes a TPMessage-Reference which is to be incremented by the ME for every outgoing message, the TP-Message-Reference as provided by the SIM need not be the valid value. TP-Message-Reference shall be checked and corrected by the ME to the value described in GSM 03.40 [6].

<addr>

- The first two octets is TON/NPI, and other is Dialling number string, Dialling number string is coded as for EFADN, and may include DTMF separators and DTMF digits, which the ME shall send in the same way as for EFADN but without locally generating audible DTMF tones to the user. See GSM 11.11 [20] for the coding of all EFs.

<tone>

- Tones can be either the standard supervisory tone, as defined in GSM 02.40 [18], or proprietary tones defined by the ME manufacturer. The code values for proprietary tones shall be supported by the ME. If proprietary tones are not supported the ME shall map these codings to tones that it can generate. The tones to be used are left as an implementation decision by the manufacturer.

< Time unit >

- Contents: time unit used; minutes, seconds or tenths of seconds.

- Coding:

'00' Minutes

'01' Seconds

'02' Tenths of seconds

All other values are reserved

< Time interval >

- Contents: the length of time required, expressed in units.

- Coding: The time interval is coded in integer multiples of the time unit used. The range is from 1 unit to 255 units.

The encoding is:

- '00': reserved

- '01': 1 unit

- '02': 2 units

- : :

- 'FF': 255 units

2.9. AT+STKPCIS SIM URC Switch

2.9.1. Description

Switch the STK URC string

2.9.2. Format

| Command | Response |
|---------------------|------------------------------|
| AT+STKPCIS=<switch> | OK ERROR |
| AT+STKPCIS? | +STKPCIS: <switch> OK |

2.9.3. Field

<switch>: the switch of STK URC

-0 the STK URC is off

-1 the STK URC is ON

2.10. AT+STKMENU Get SIM Toolkit Setup Menu Data

2.10.1. Description

To get SIM toolkit setup menu data

2.10.2. Format

| Command | Response |
|--------------|---|
| AT+STKMENU | [+STKMENU:<index>,<id>,<text>] [+STKMENU:<index>,<id>,<text>] [+STKMENU:<index>,<id>,<text>] [...] OK |
| AT+STKMENU=? | OK |

2.10.3. Field

<**index**>: the menu's index, begin 1

<**id**>: the item identifier

<**text**>: the content of item, code by EFADN

SIMCOM CONFIDENTIAL FILE

3. STK Usage Example

The following tables provide some examples for STK usage. Different SIM card has different STK function. It is not necessary that the following examples are suitable for all of the SIM cards.

In the "Grammar" columns of following tables, input of AT commands are in black , module return values are in blue.

3.1. Setup Menu

3.1.1. Proactive Command Setup Menu

| Grammar | Description |
|---|---|
| +STKPCI: 0,SET MENU,12,8051687403901A4E13533A | UP Proactive command SETUP MENU ,there are 12 items |

3.1.2. Terminal Response of Setup Menu

| Grammar | Description |
|--|--|
| AT+STKTRS=00 OK | Response to proactive command SETUP MENU |
| AT+STKMENU? +STKMENU: 1,F0,806211662F51687403901A +STKMENU: 2,F3,808D857EA753F77C3F +STKMENU: 3,F8,806D3B52A84FE1606F +STKMENU: 4,FF,804E1A52A163A88350 +STKMENU: 5,0A,808D448D3963A88350 +STKMENU: 6,0B,8081EA52A9670D52A1 +STKMENU: 7,0C,8079FB52A865B04E1A52A1 +STKMENU: 8,10,805F6994C38BBE7F6E +STKMENU: 9,18,8097F34E506392884C699C +STKMENU: 10,21,8065B095FB8D448BAF +STKMENU: 11,25,8065E07EBF4F1195F2 +STKMENU: 12,FE,8000530049004D53614FE1606F OK | Query main menu Item 1, ID is"F0" Item 2, ID is "F3" |
| +STKPCI: 2 | End of session |

3.2. Menu Selection Item

| Grammar | Description |
|--|--|
| AT+STKENVS=D3,F0 OK | Select item which ID is "F0" |
| +STKPCI: 0,SELECT ITEM,2,0 +STKPCI: 0,ITEM,1,01,8054C1724C4FE1606F7EA7522B +STKPCI: 0,ITEM,2,02,8066F465B054C1724C4FE1606F | Proactive command select item, there are 2 items Sub item 1, ID is "01" Sub item 2, ID is "02" |
| +STKPCI: 2 | End of session |

3.3. Display Text

| Grammar | Description |
|--|--|
| AT+STKTRS=00,01 OK | Select item which id is "01" |
| +STKPCI: 0,DISPLAY TEXT, 129,085C0A656C768451687403901A5BA26237 FF1A611F8C2260A8900962E94E2D56FD79FB 52A8901A4FE1FF0151687403901A52A960A86 210529FFF01 | Proactive command DISPLAY TEXT 129: high priority, wait for user to clear message 08: Unicode encoding |
| AT+STKTRS=00 OK | Respond to DISPLAY TEXT |
| +STKPCI: 2 | End of session |

3.4. Get Input

| Grammar | Description |
|--|--|
| AT+STKENVS=D3,F3 OK | Select item which ID is "F3" |
| +STKPCI: 0,SELECT ITEM,7,0 +STKPCI: 0,ITEM,1,01,8053F77C3F7BA17406 +STKPCI: 0,ITEM,2,02,8062FC97F367E58BE2 +STKPCI: 0,ITEM,3,03,8059D3540D67E58BE2 +STKPCI: 0,ITEM,4,04,8053F77C3F6D4F89C8 +STKPCI: 0,ITEM,5,05,8077ED4FE17FA453D1 | Proactive command SELECT ITEM, there are 7 sub items Sub item 2, ID is "02" |

| | |
|--|--|
| +STKPCI: 0,ITEM,6,06,807FA47EC47BA17406 +STKPCI: 0,ITEM,7,07,8065B0589E8BB05F55 | |
| AT+STKTRS=00,02 OK | Respond to SELECT ITEM. Select item which id is "02" |
| +STKPCI: 0,GET INPUT, 1, 088F93516599965B576BCDFF1A,00,01 | Proactive command GET INPUT 1: input is alphabet set 00,01 input length is 0 or 1. |
| AT+STKTRS=00,0161 OK | Respond to GET INPUT 01: default sms data encode 61: is alphabet set of 'A' |
| +STKPCI: 0,SELECT ITEM,4,0 +STKPCI: 0,ITEM,1,01,8053F77C3F0031 +STKPCI: 0,ITEM,2,02,8053F77C3F0032 +STKPCI: 0,ITEM,3,03,8053F77C3F0033 +STKPCI: 0,ITEM,4,04,80516890E8 | Proactive command SELECT ITEM, there are 4 sub items Sub item 2, Id is "02" Sub item 3, Id is "03" Sub item 4, Id is "04" |
| AT+STKTRS=00,04 OK | Respond to SELECT ITEM, select item which id is "04" |
| +STKPCI: 0,DISPLAY TEXT, 128,08521788684E3A7A7AFF01 | Proactive command DISPLAY TEXT 128: normal priority, wait user to clean |
| AT+STKTRS=11 OK | Respond to DISPLAY TEXT, mean to backword move |
| +STKPCI: 0,SELECT ITEM,4,0 +STKPCI: 0,ITEM,1,01,8053F77C3F0031 +STKPCI: 0,ITEM,2,02,8053F785840032 +STKPCI: 0,ITEM,3,03,800061006200630064006500660067 +STKPCI: 0,ITEM,4,04,80516890E8 | Proactive SELECT ITEM, there are 4 sub items |
| AT+STKTRS=10 OK | Respond to SELECT ITEM, end this session |
| STKPCI: 2 | End of session |

Appendix

A Related Documents

| SN | Document name | Remark |
|-----|---------------------------------|--------|
| [1] | SIM800 Series_AT Command Manual | |
| | | |

B Terms and Abbreviations

| Abbreviation | Description |
|--------------|---|
| SAT | SIM Application Toolkit |
| EVB | Evaluation Board |
| STK | SIM Toolkit Command begin tag |
| URC | Unsolicited request code |
| TE | Terminal Equipment |
| TA | Terminal Adapter |
| DTE | Data Terminal Equipment or plainly “the application” which is running on an embedded system |
| DCE | Data Communication Equipment or facsimile DCE(FAX modem, FAX board) |
| ME | Mobile Equipment |
| MS | Mobile Station |

Contact us:

Shanghai SIMCom Wireless Solutions Co.,Ltd.

Address: Building A, SIM Technology Building, No. 633, Jinzhong Road, Shanghai, P. R. China
200335

Tel: +86 21 3252 3300

Fax: +86 21 3252 3020

URL: www.simcomm2m.com

SIMCOM CONFIDENTIAL/ALLIABLE