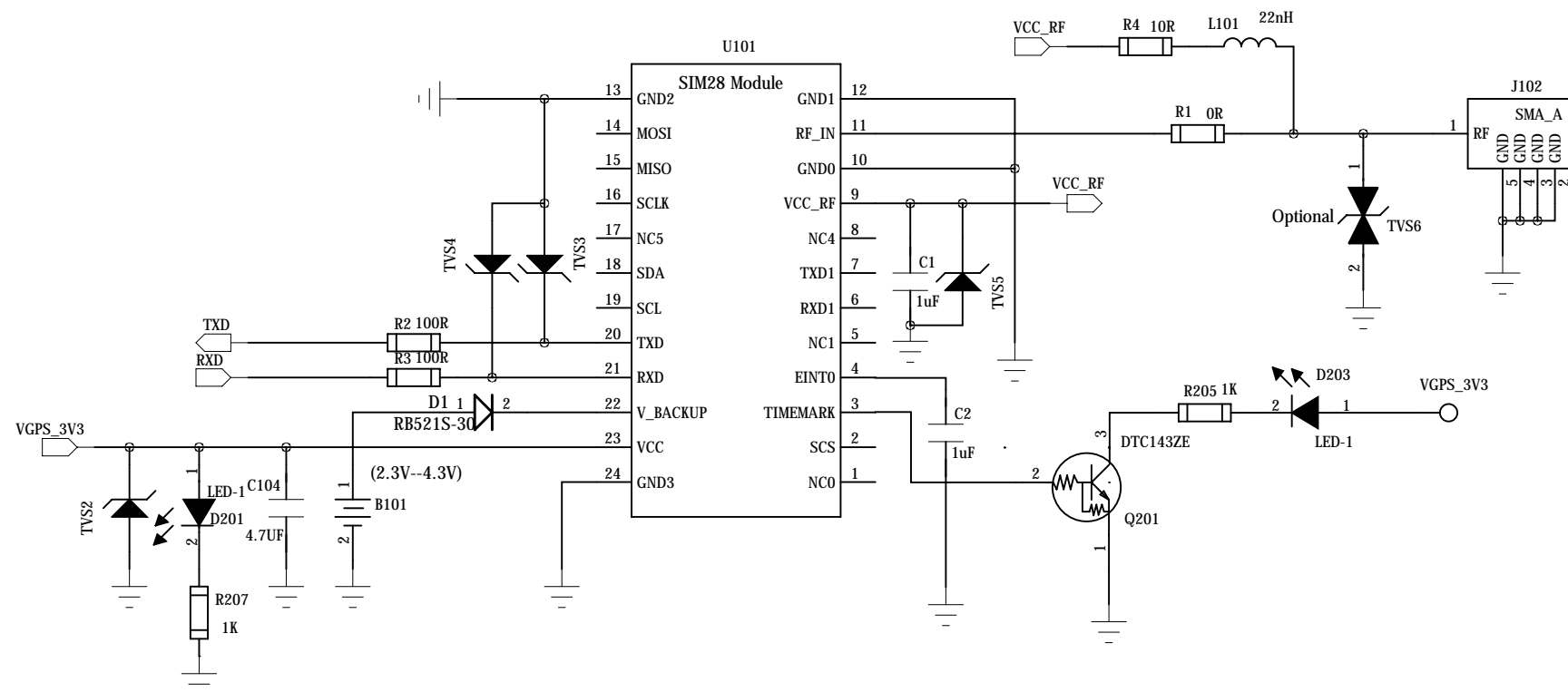


SIM28 reference design with active antenna



- Note: 1. SIM28 does not support charging function to the backup battery,
if a rechargeable backup battery used, customer should design the charge circuit.
2. The load-cap of TVS6 should be less than 5pF(Optional)

SIM Technology

DRAWN BY	PROJECT SIM28 REF design	TITLE GPS
CHECKED BY	SIZE	VER
SHEET		