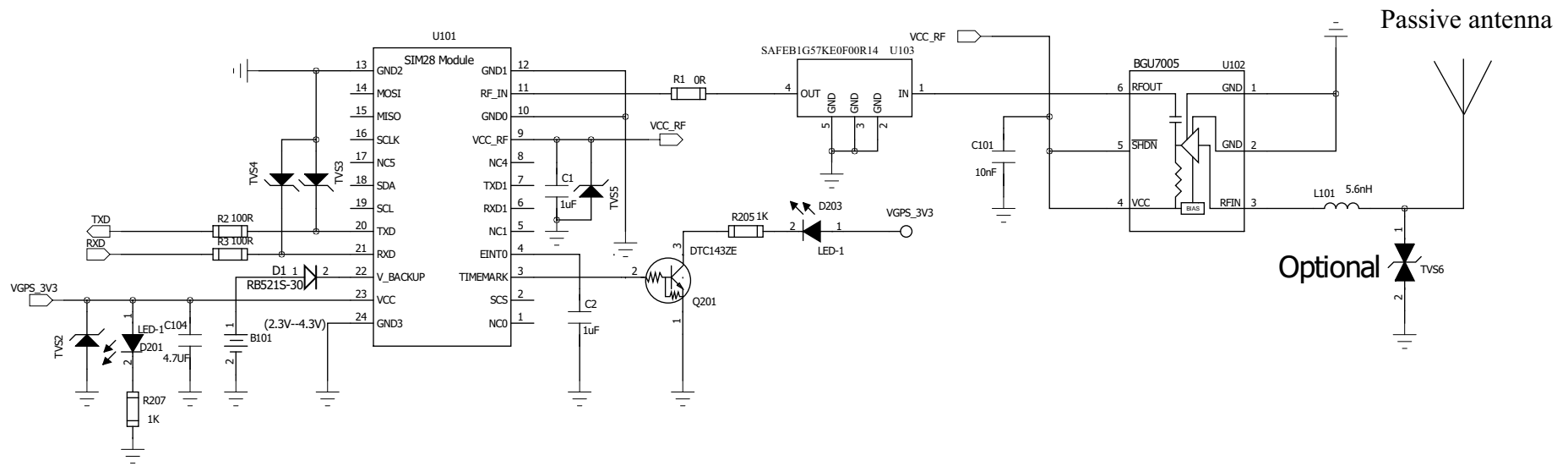


SIM28 reference design with passive antenna for best performance (with external LNA and SAW)



- Note: 1. SIM28 does not support charging function to the backup battery, if a rechargeable backup battery used, customer should design the charge circuit.
 2. The load-cap of TVS6 should be less than 5pF(Optional)

SIM Technology		
DRAWN BY	PROJECT SIM28 REF design	TITLE
CHECKED BY	SIZE	VER
	SHEET	