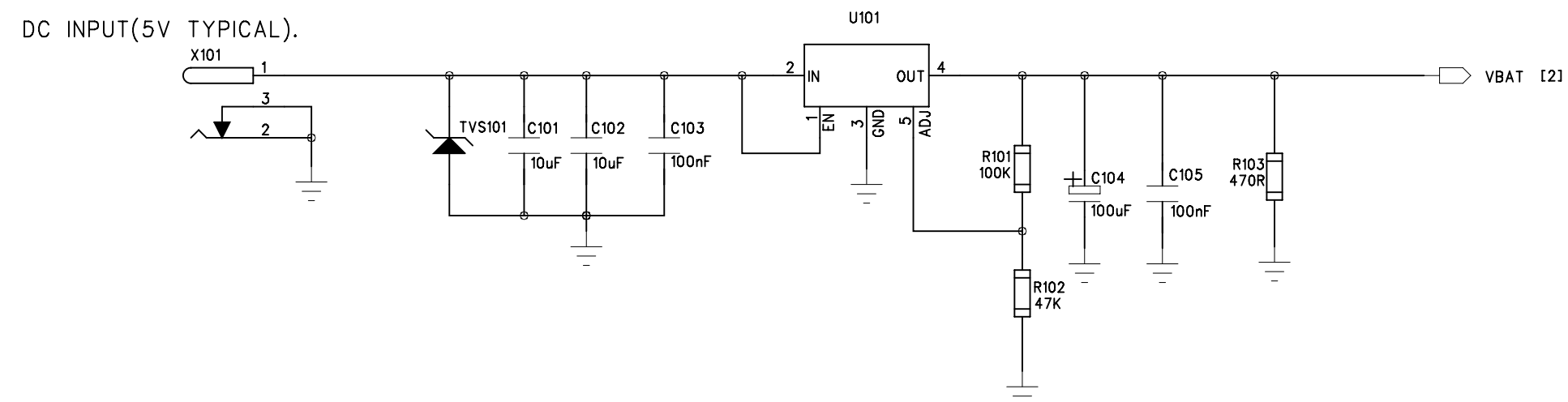
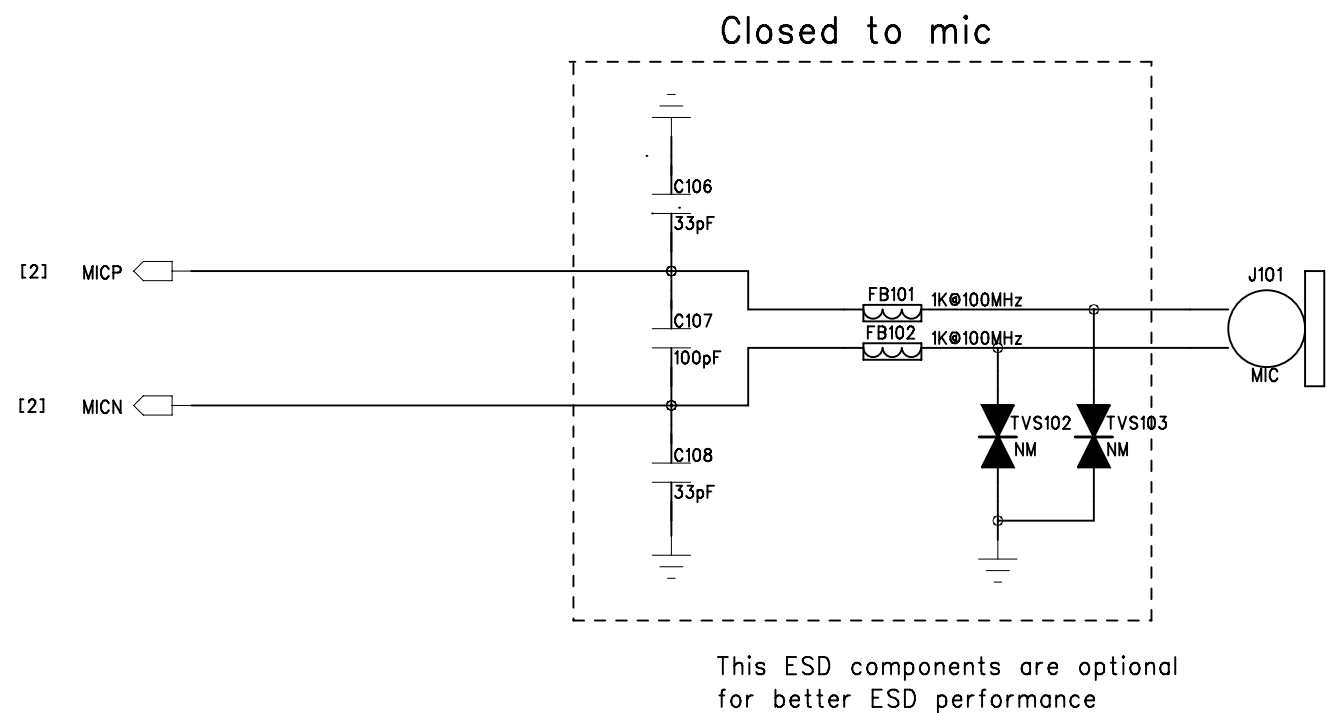


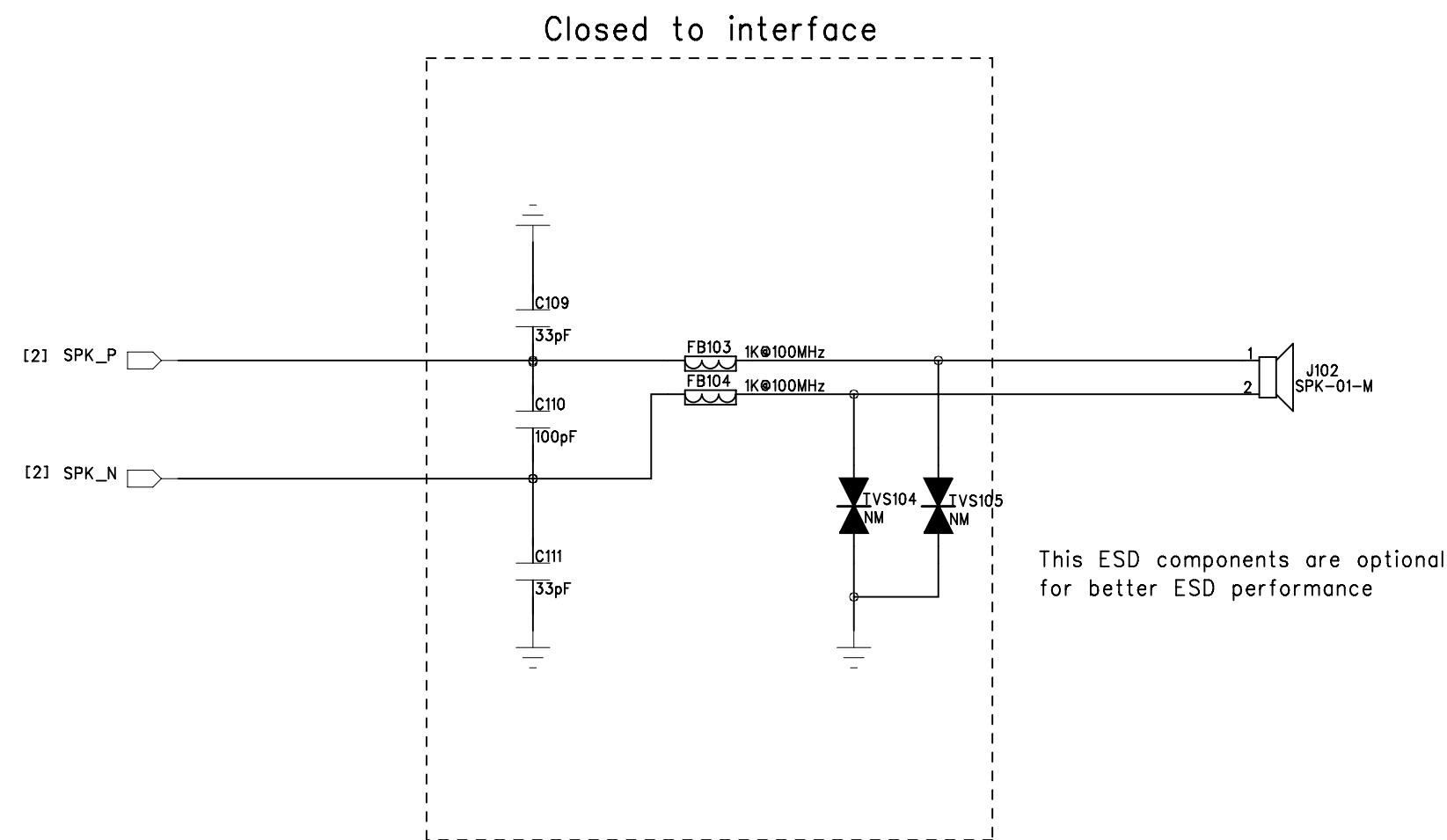
POWER



MIC

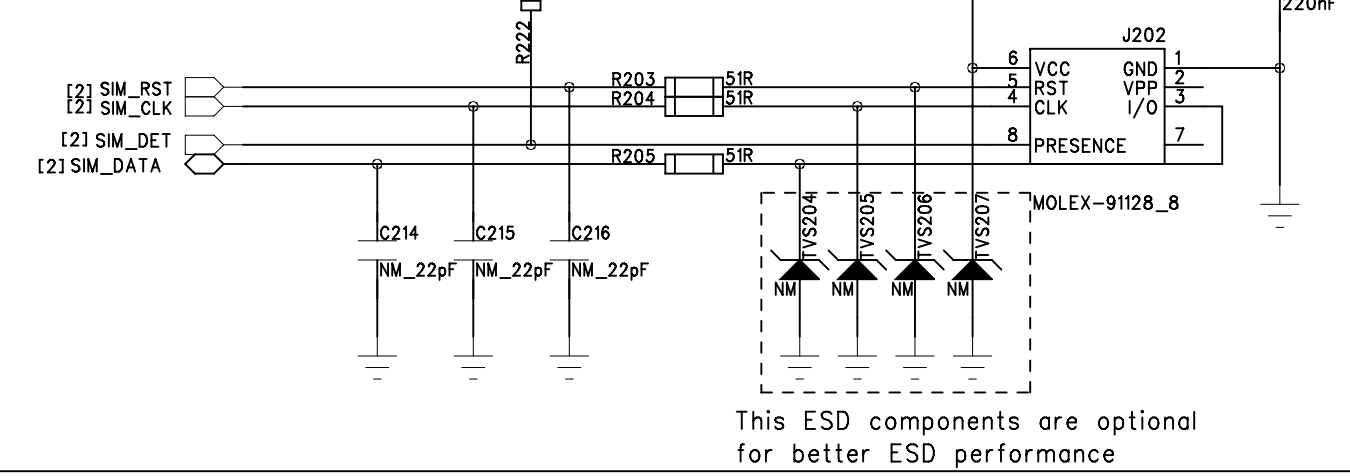


HANDSET

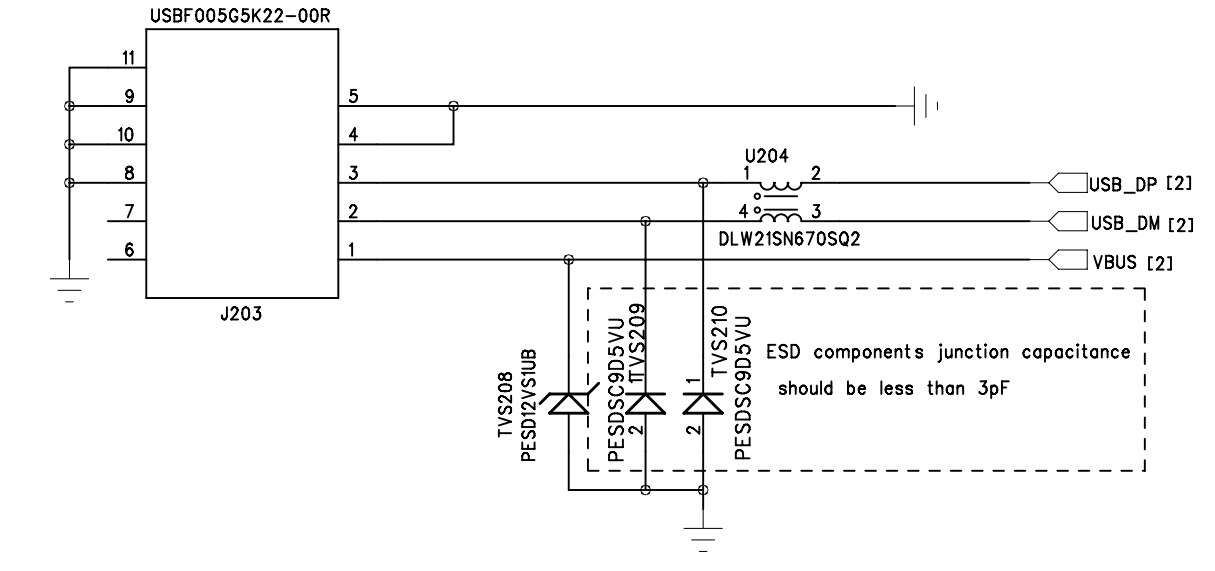


DRAWN BY YANWU.WANG	PROJECT SIM800C-DS RECOMMENDABLE SCHEMATIC	TITLE AUDIO
CHECKED BY	SIZE A2	VER 1.01
SHEET 1 of 2		2015-03-10

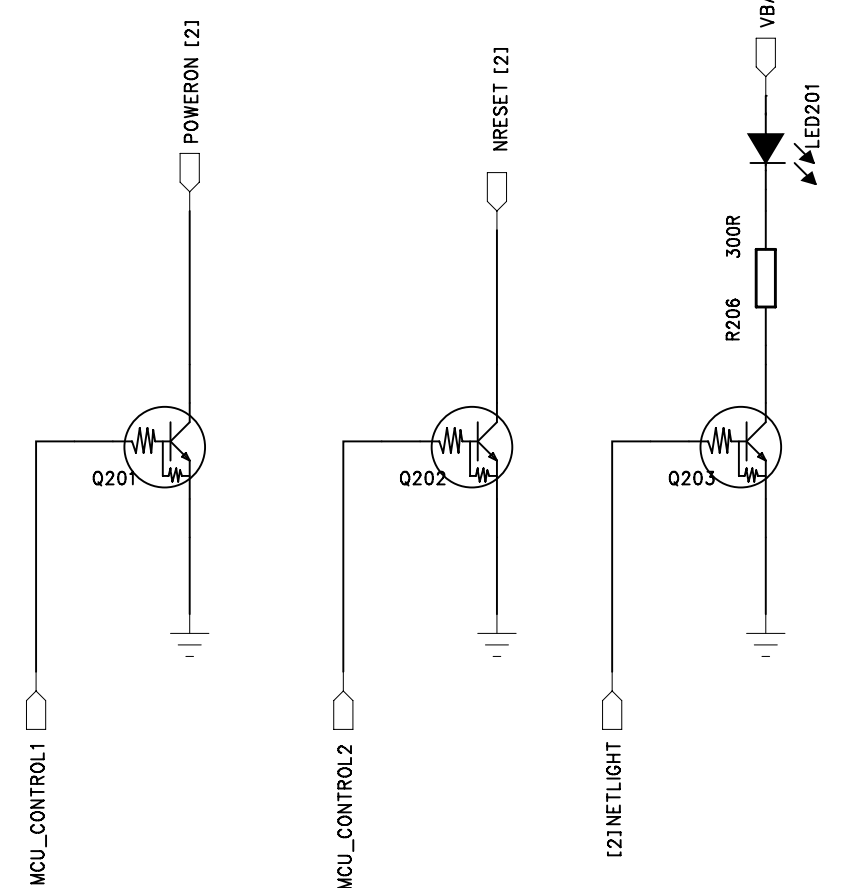
SIM



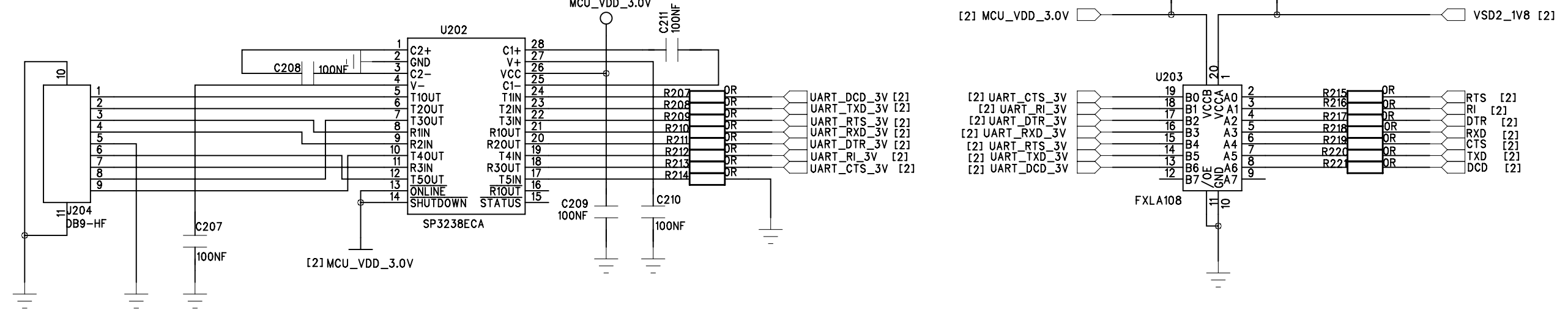
USB



MCU_CONTROL



RS232



ESD components junction capacitance should be less than 100pF

TVS202 is a bidirectional TVS component, ESD components junction capacitance should be less than 0.05pF

This ESD components are optional for better ESD performance

ESD components junction capacitance should be less than 3pF

As audio recommended design only for SIM5300EA, these pins should be NC of SIM5300E

DRAWN BY YANWU.WANG	PROJECT SIM800C-DS RECOMMENDABLE SCHEMATIC	TITLE INTERFACE
CHECKED BY	SIZE A2	VER 1.01
SHEET 2 of 2		2015-03-10