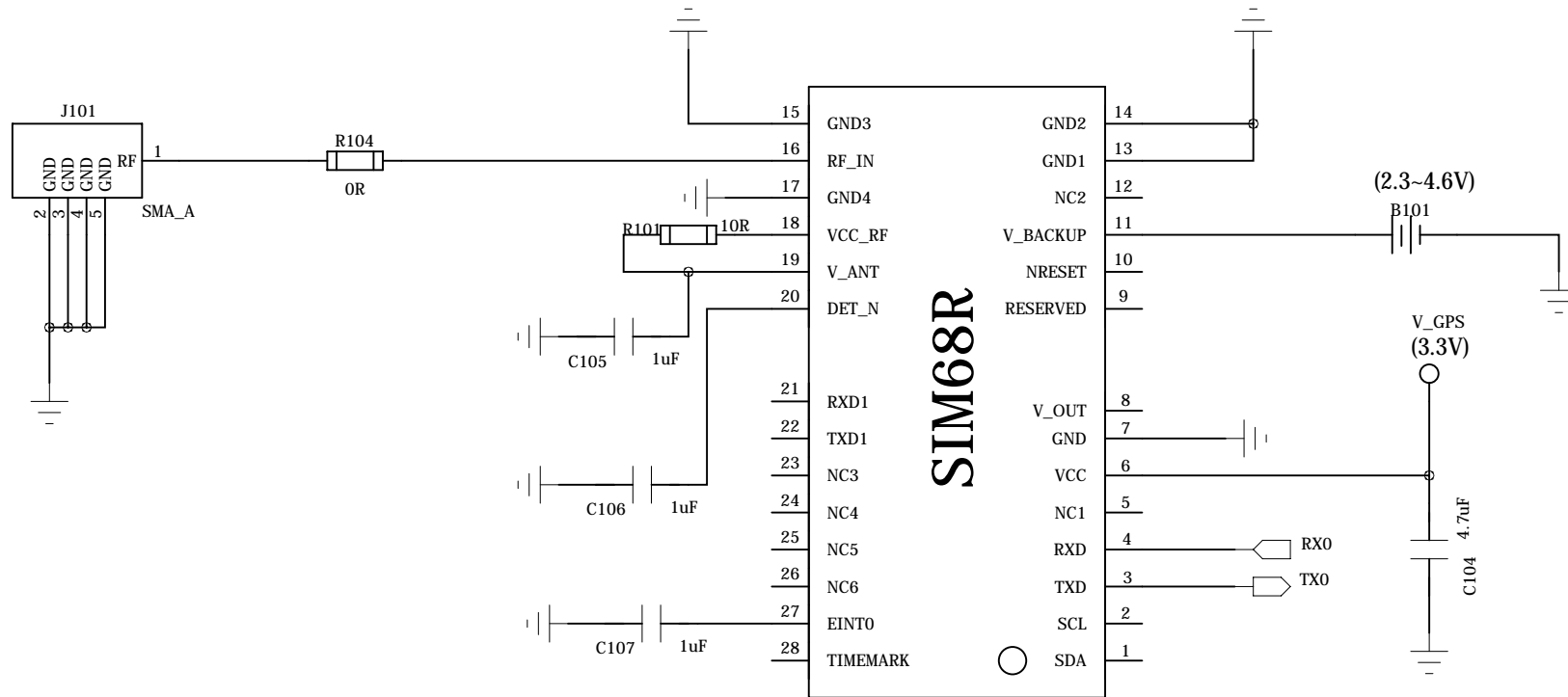


# SIM68R reference design with active antenna



Note: SIM68R does not support charging function to the backup battery,  
if a rechargeable backup battery used, customer should design the charge circuit.