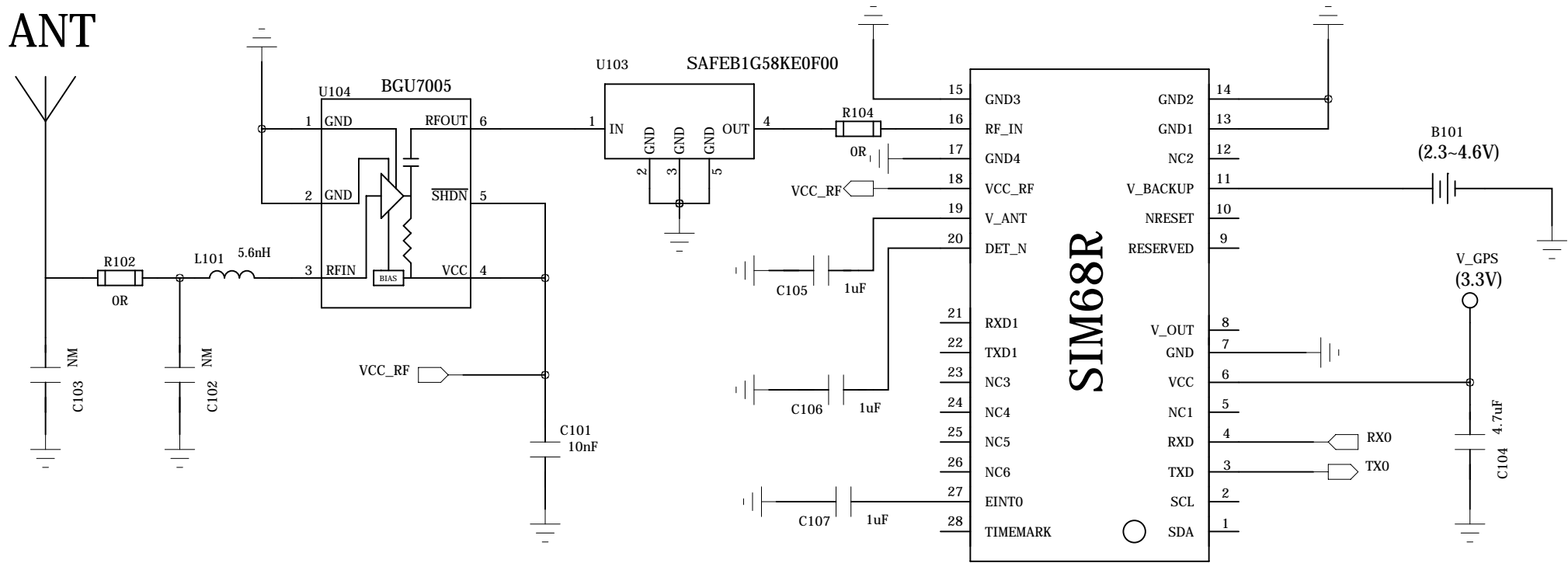


SIM68R reference design with passive antenna for best performance (with external LNA and SAW)



Note: SIM68R does not support charging function to the backup battery, if a rechargeable backup battery used, customer should design the charge circuit.