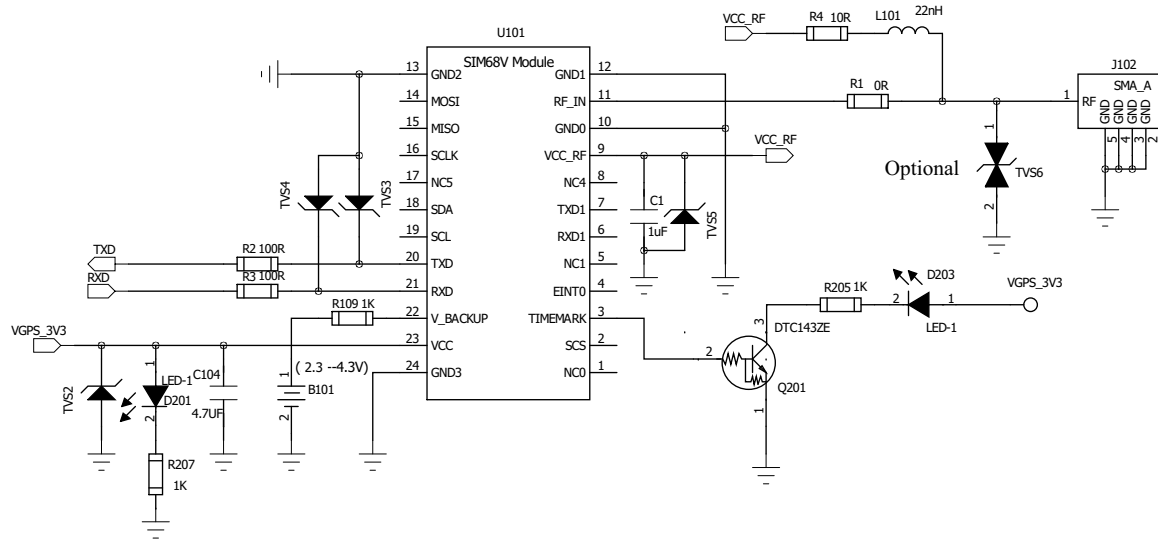


SIM68V reference design with active antenna



- Note: 1. SIM68V does not support charging function to the backup battery, if a rechargeable backup battery used, customer should design the charge circuit.
 2. The load-cap of TVS6 should be less than 2.5pF (Optional)

SIM Technology		
DRAWN BY	PROJECT SIM68V REF design	TITLE GPS
CHECKED BY	SIZE	VER
	SHEET	